

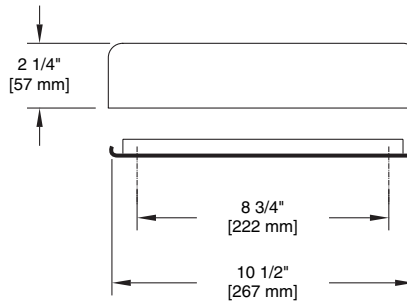
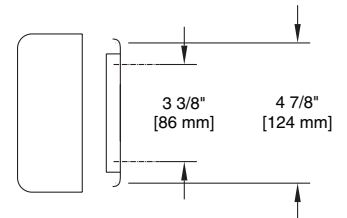
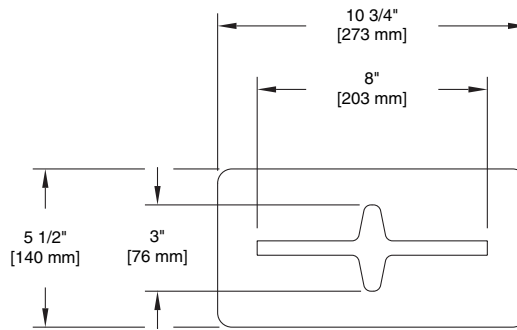
# TECHNICAL DATA

**LIBERTY HARDWARE**<sup>®</sup>  
MANUFACTURING CORPORATION

A Masco Company

140 Business Park Drive • Winston-Salem, NC 27107  
800.542.3789 • T 336.769.4077 • F 336.769.1839  
www.libertyhardware.com

## SURFACE TISSUE CABINET 915 Series



**MATERIALS:** Base Wall Panel - 20 gauge galvanized steel  
Cover - 24 gauge steel with chrome plating

**INSTALLATION:** Install wall base panel with 4 - #8 x 1 1/4" roundhead zinc plated steel screws provided. Snap cover on wall base panel. Wood blocking is preferable behind all wall surfaces. If wood blocking is not available, the following optional fasteners are suggested:

Tile/Masonry - Plastic or lead anchors  
Plastic/Drywall - Toggle bolts

**SPECIFICATION:** Surface tissue cabinet shall be model \_\_\_\_\_ (fill in model number)  
by Liberty Hardware Manufacturing Corporation.